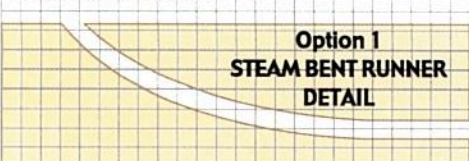
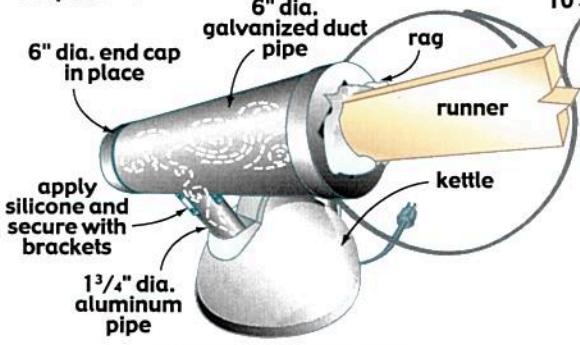


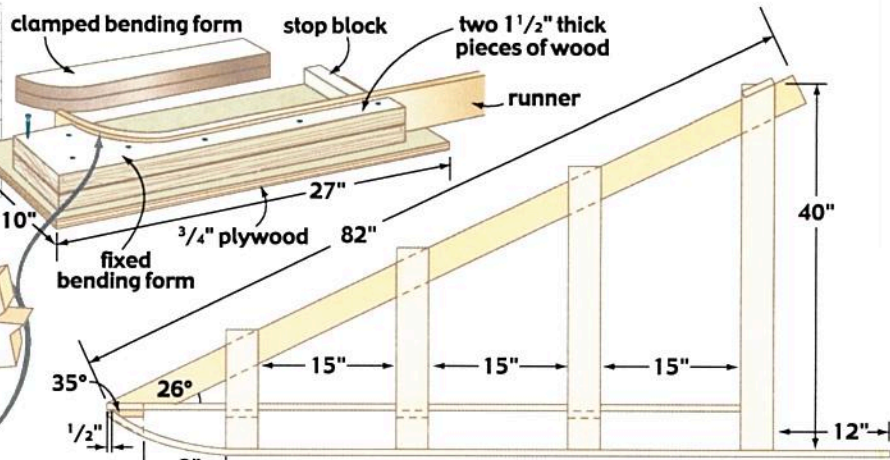
RUNNER TIP DETAIL



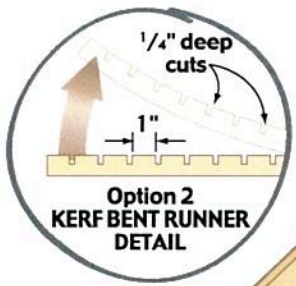
1 square = 1"



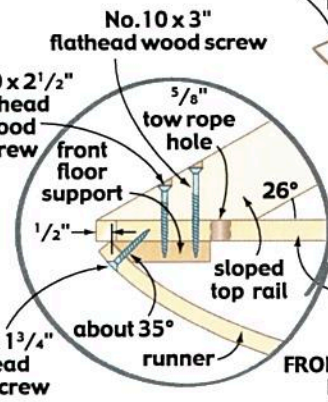
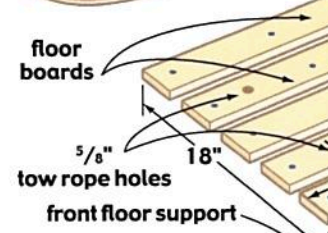
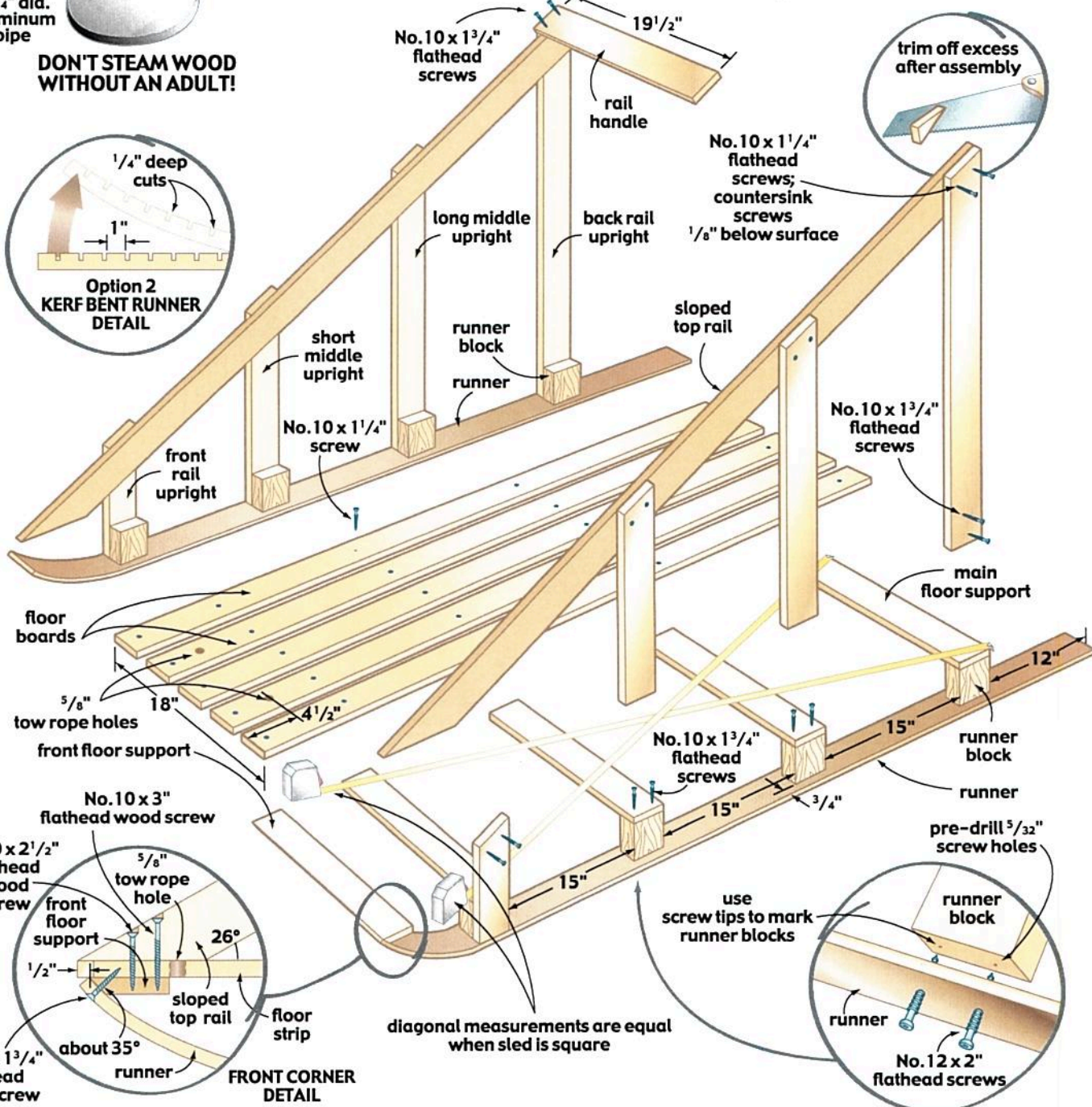
DON'T STEAM WOOD WITHOUT AN ADULT!



SIDE VIEW

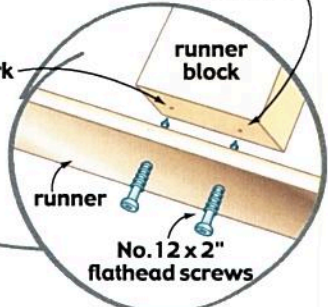


Option 2 KERF BENT RUNNER DETAIL



FRONT CORNER DETAIL

use screw tips to mark runner blocks



diagonal measurements are equal when sled is square